

# KAB//Seating

## 100 Series



KAB AIR156



ENTER THE COMFORT ZONE

[www.kabseating.com](http://www.kabseating.com)

# KAB//Seating

## 100 Series

Air and Mechanical seating for the agricultural and construction sectors

Features	Air 156	116
Air suspension with a 12v integral compressor	●	
Air suspension with a 24v integral compressor	○	
Mechanical suspension		●
150mm vertical suspension stroke	●	●
70mm integral height adjustment	0-30 or 70	70
Driver weight adjustment in kgs	50-120	50-120
Ride indicator	●	●
Suspension cover	●	●
5 position lumbar support	●	●
Fore and aft adjustment 160mm	●	●
Backrest angle adjustment	●	●
Seat belt widths 50mm (2") & 75mm (3")	○	○
Adjustable armrests (50/70/80/100mm)	○	○
Backrest extension	○	○
Cushion heaters	○	○
Turntable	○	○
Swivel 0-10° -20° left or right	○	○
Document pouch	○	○
Seat sensor switch	○	○
Variable up-stop	○	○
Range of fabrics and PVC	○	○

#### Notes

- Meets ISO 7096
- Meets EEC 78/764 with amendments 83/190 and 88/468 Class I, II and III
- Meets flammability standards FMVSS 302 and ISO 3795 (<250mm/min)
- Seat belt anchorages to ISO 3776, ISO 6683 and SAE J386

- Standard
- Optional

Distributor

#### England - KAB Seating Ltd

Tel: +44 (0) 1604 790500 E.mail: marketing@kabseating.com  
www.kabseating.com

#### Australia - KAB Seating Pty. Ltd

Tel: +61 (0) 7 3275 7500 E.mail: enquiries@kabseating.com.au

#### Belgium - KAB Seating SA

Tel: +32 (0) 2 3661742 E.mail: info@kabseating.be

#### France - KAB Seating

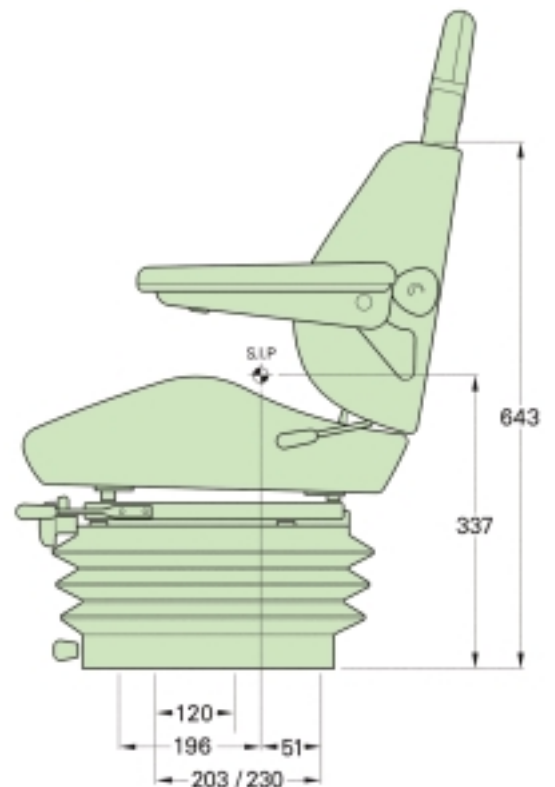
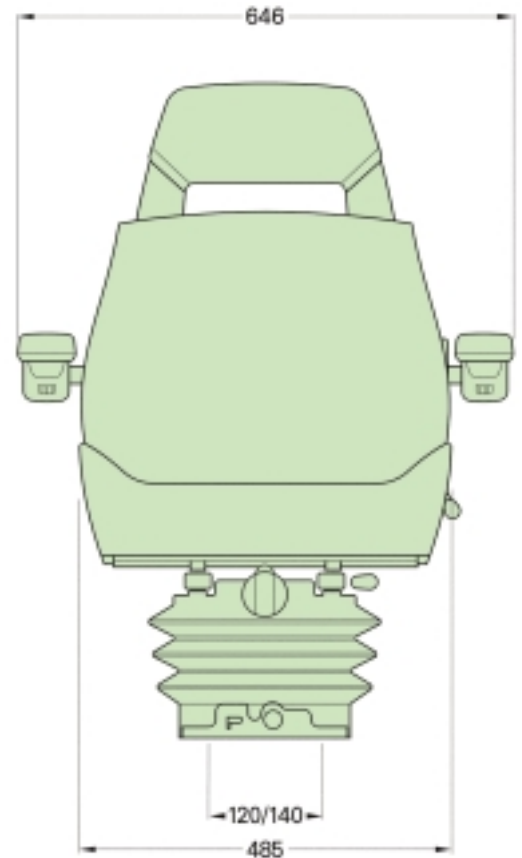
Tel: +33 (0) 1 40 92 97 40 E.mail: info@kabseating.fr

#### North America - KAB Seating

Tel: +1 800 354 9621 E.mail: kabseating@nationalseating.com

#### Sweden - KAB Seating AB

Tel: +46 (0) 8 550 343 30 E.mail: office@kabseating.se



- SIP to ISO 5353.
- Dimensions at mid suspension stroke, middle height adjustment and at mid sliderail adjustment.
- Indicative dimensions
- 116 shown

The Air 15 and 11 mechanical are modular suspensions which can also be used with a wide variety of seats and pans.

For further details contact your local KAB office.