

# KAB//Seating

## 500 Series



KAB 515  
KAB 525

KAB AIR 555



ENTER THE COMFORT ZONE

[www.kabseating.com](http://www.kabseating.com)

# KAB//Seating

## 500 Series

**Air and Mechanical suspension seating for the construction and marine sectors**

Features	515	525	Air 555
Air suspension (Manual Air Valve)			●
Air suspension with 12v or 24v integral compressors			●
Mechanical suspension	● 2 Springs	● 4 Springs	
100mm vertical suspension stroke	●	●	
125mm vertical suspension stroke			●
60mm height and tilt adjustment	●	●	●
Driver weight adjustment in kgs	50-120	80-150	50-150
Suspension cover	●	●	●
5 position lumbar support	●	●	●
Fore and aft adjustment 200mm 10mm increments	●	●	●
Backrest angle adjustment	●	●	●
Vibration performance to ISO 7096	●	●	●
Seat belt to ISO 6683, SAE J386 and ISO 3776 (anchorage strength 15Kkn)	●	●	●
Tether belt version to SAE J386, June 1981 (anchorage strength 22Kkn)	○	○	○
Seat belt widths 50mm (2") & 75mm (3")	○	○	○
Adjustable armrests (50/70/80/100mm)	○	○	○
Adjustable headrest	○	○	○
Cushion heaters	○	○	○
Adjustable damper (3 positions)	○	○	○
Double dampers	○	○	○
Seat sensor switch	○	○	○
Turntable 0°-180°	○	○	○
Front or side controls available	○	○	○
Range of fabrics and PVC	○	○	○

● Standard ○ Optional

Distributor

### England - KAB Seating Ltd

Tel: +44 (0) 1604 790500 E.mail: marketing@kabseating.com  
www.kabseating.com

### Australia - KAB Seating Pty. Ltd

Tel: +61 (0) 7 3275 7500 E.mail: enquiries@kabseating.com.au

### Belgium - KAB Seating SA

Tel: +32 (0) 2 3661742 E.mail: info@kabseating.be

### France - KAB Seating

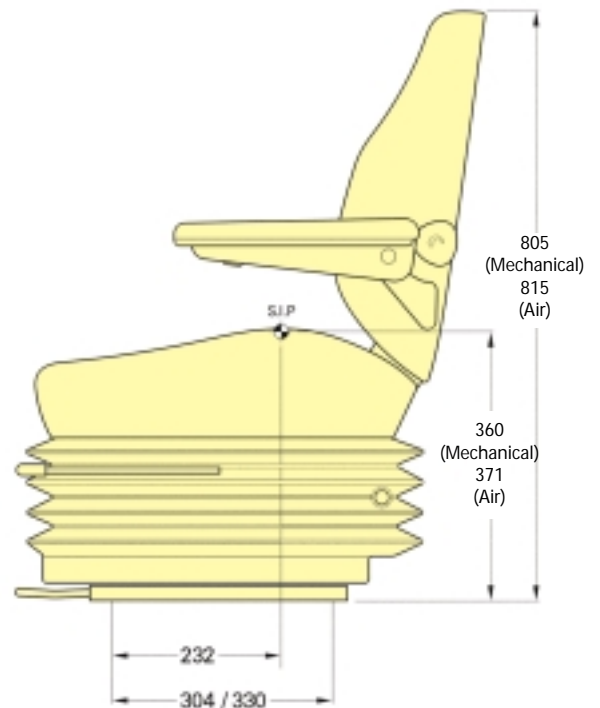
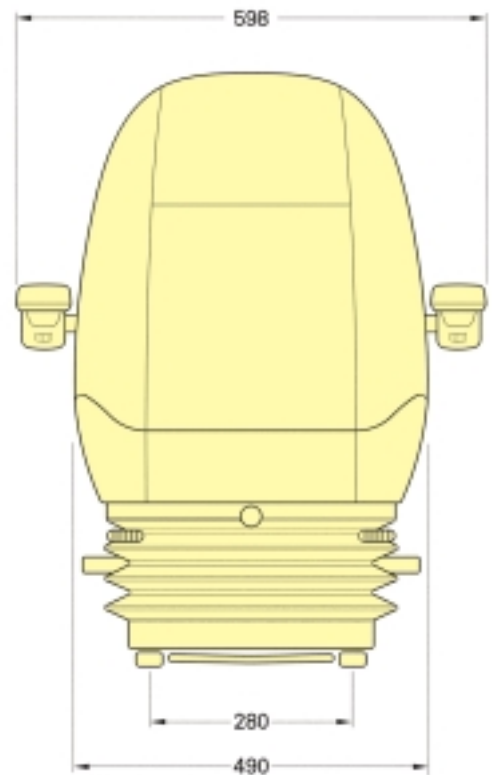
Tel: +33 (0) 1 40 92 97 40 E.mail: info@kabseating.fr

### North America - KAB Seating

Tel: +1 800 354 9621 E.mail: kabseating@nationalseating.com

### Sweden - KAB Seating AB

Tel: +46 (0) 8 550 343 30 E.mail: office@kabseating.se



- SIP to ISO 5353.
- Dimensions at mid suspension stroke, middle height adjustment and at mid sliderail adjustment.
- Indicative dimensions
- Air 555 shown

**These models are just part of the extensive 500 series range. Other high back, low back and narrower seats are also available.**

**For further details contact your local KAB office.**